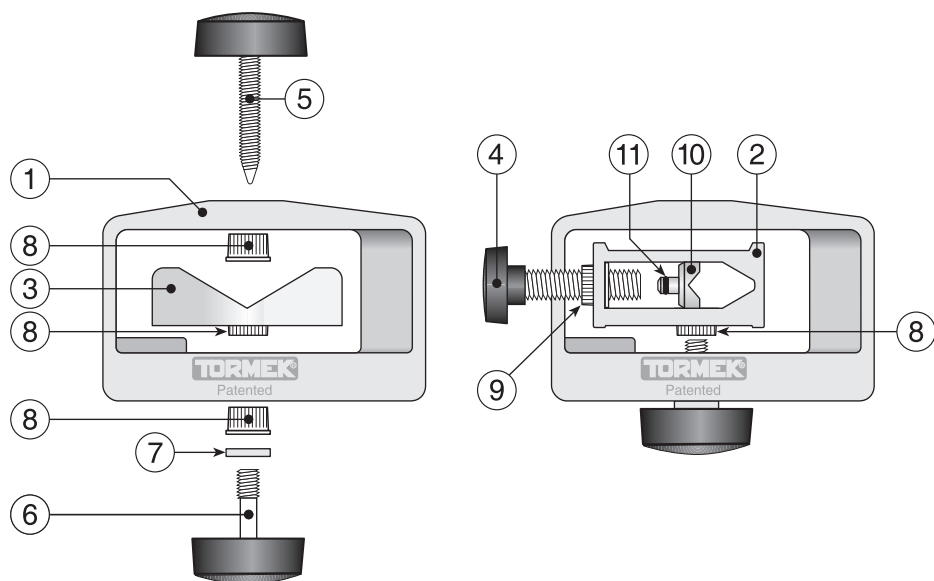


SVS-50 Multi Jig



Item no.	Article no.	Denomination	Quantity	Weight/piece	
				g	oz
1	2200	Housing	1	76	2,68
2	2220	Closed seat	1	69	2,43
3	2210	Open seat	1	24	0,85
4	7100	Mounting screw	1	12	0,42
5	7070	Mounting screw	1	13	0,46
6	7090	Locking screw	1	10	0,35
7	5240	Washer	1	1	0,04
8	1050	Brass bushing, M6	4	4	0,14
9	1070	Brass bushing, M8	1	2	0,07
10	1180	Mounting disc	1	5	0,18
11	3320	O-ring	1	0	0,00